

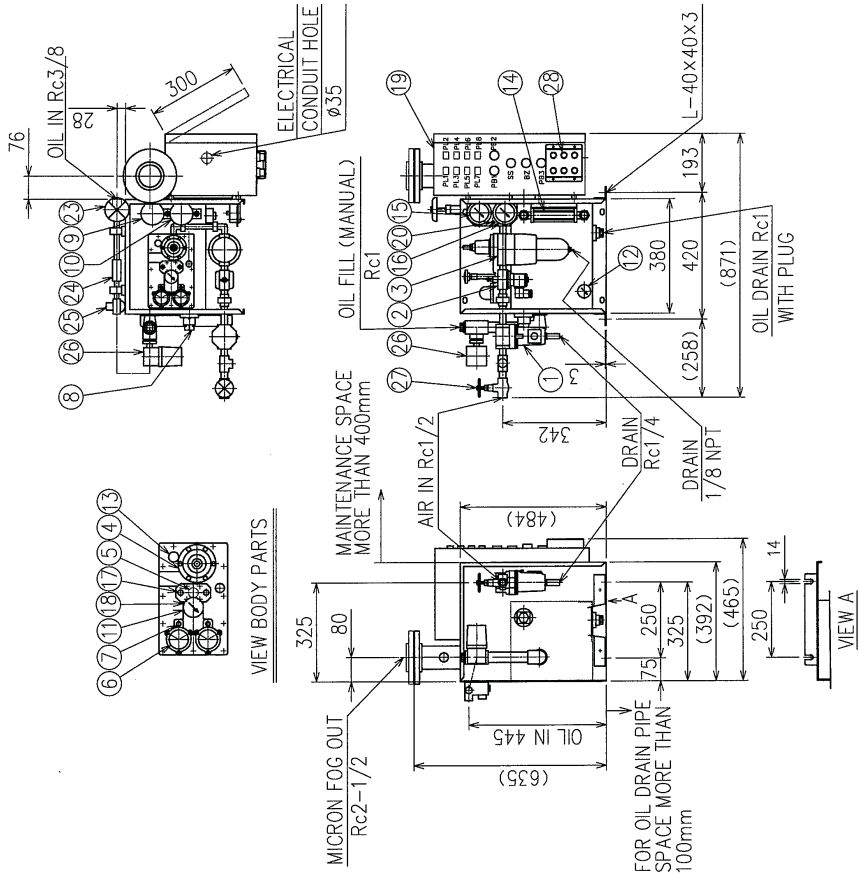


JIS SYMBOL

No.	PARTS NAME	MODEL No.	QTY	REMARKS	REMARKS
1	AIR FILTER	F4000-15-FM	1		CKD
2	2 PORT SOLENOID VALVE	MVS-2204JY-02	1	FOR AIR AC220V 60Hz	TACO
3	OIL REMOVAL FILTER	A00916	1		TACO
4	AIR REGULATOR	S/K 95023-09	1		TACO
5	CHECK VALVE	S/K 95023-08	1		TACO
6	MICRON FOG GENERATOR	S/K 95024-03	2		TACO
7	ADJUSTING NEEDLE	S/K 95212-08	2		TACO
8	RELIEF VALVE	S/K 95212-04	1		TACO
9	PRESSURE SWITCH (HIGH)	SPS-5	1	15.0kPa (ON)	SANWA
10	PRESSURE SWITCH (LOW)	SPS-5	1	3.0kPa (ON)	SANWA
11	THERMO METER (AIR)	No. 01070	1		(NISSHIN)
12	THERMO METER (OIL)	No. 01070	1		(NISSHIN)
13	OIL LEVEL SWITCH	S/K 95212-03	1		(NOHKEN)
14	OIL LEVEL GAUGE	No. 05676-03	1		(TACO)
15	PRESSURE GAUGE (OPERATING)	GWB60404	1	0~0.40MPa	(NISSHIN)
16	PRESSURE GAUGE (MANIFOLD PRESSURE)	05676-146	1	0~30.0kPa	(NISSHIN)
17	AIR/OIL HEATER	S/K 95212-01	1		TACO
18	THERMISTER	No. 01021	1		TACO
19	TERMINAL BOX		1		TACO
20	VALVE (FOR GAUGE PROTECTION)	05035-19	1		(KOGANEI)
23	GLOVE VALVE	M20K-SG 3/8	1		HITACHI VALVE
24	STRAINER (Y TYPE)	M20K-ST 3/8	1		HITACHI VALVE
25	2 PORT SOLENOID VALVE	73216BN2MTOO0C119P	1	FOR OIL AC220V 60Hz	SKINNER
26	INTEGRATING FLOW METER	RE10LF-L01-AC	1		NITTO
27	GLOVE VALVE	HM10K-SD 1/2	1		HITACHI VALVE
28	FUSE		6		

NAME PLATES

SIGN	PARTS NAME	SIGN	PARTS NAME
PL1	POWER SOURCE	PL7	OIL LEVEL LOW
PL2	OPERATION	PL8	AIR TEMP. LOW
PL3	STOP	PB1	ON
PL4	MANIFOLD PRESSURE (HIGH)	PB2	OFF
PL5	MANIFOLD PRESSURE (LOW)	SS	LOCAL-PULPIT
PL6	OIL LEVEL HIGH	PB3	BUZZER STOP



SPECIFICATIONS

MODEL No.	MC6-1024-2571
LUBRICATION CAPACITY	700~2000Bl
AIR SUPPLY PORT	Rc1/2
OUT PORT OF MICRON FOG	Rc2-1/2
SUPPLY PRESSURE	0.40~0.70MPa
OPERABLE PRESSURE RANGE	0.05~0.35MPa
AIR CONSUMPTION	19.3dm <sup>3</sup> /sec (ANR) (AT SETTING PRESS. 0.13MPa)
RESERVOIRE CAPACITY	16.1dm <sup>3</sup>
(EFFECTIVE CAPACITY)	10.6dm <sup>3</sup>
LUBRICANT TO BE USED	ISO VG 150~680
VOLTAGE	AC220V 60Hz (AC200V 50/60Hz)
ELECTRIC CONSUMPTION	2.5kVA(TOTAL)
ELECTRIC CONSUMPTION	2.0kVA(AIR/OIL HEATER)
AIR TEMP. ADJUSTING RANGE	35~120°C(FACTORY SET AT 70°C)
LOW AIR TEMP. WARNING	30~60°C(FACTORY SET AT 50°C)
HIGH AIR TEMP. WARNING	85~120°C(FACTORY SET AT 85°C)
PAINTING COLOR	MANUFACTURER STANDARD
MASS	APPROX. 70kg

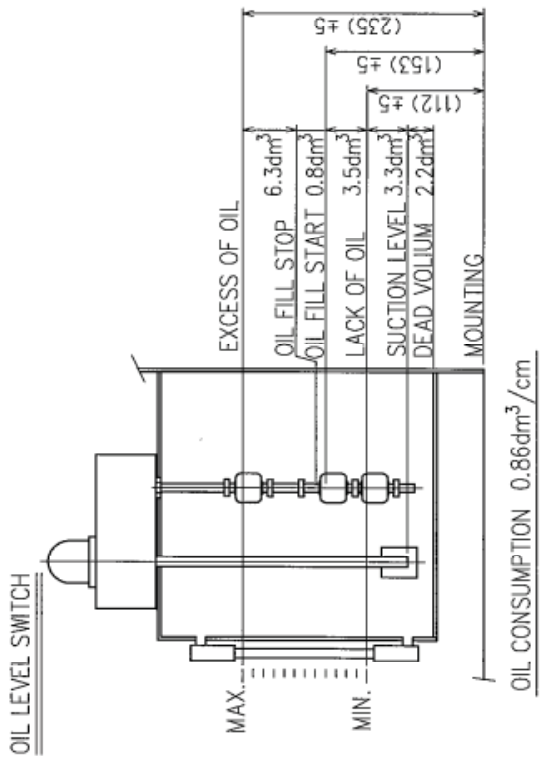
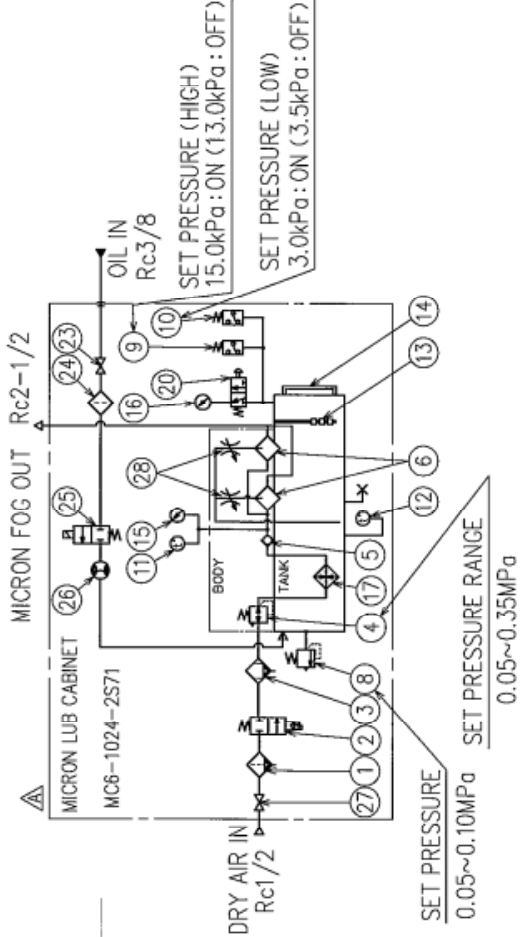
CHG.	REVISIONS	DATE	BY	NAME	TYPE
				ASSEMBLY DRAWING FOR MICRON-LUB CABINET	MC6-1024-2571
				APP'D <i>S. Makino</i>	DWG.No.
				DATE 08.6.16	SCALE (1:16)
					H-9476-01

番式: BP-96017A

P8-1246 DIMENSIONS-mm

JIS SYMBOL

No.	PARTS NAME	MODEL No.	QTY	REMARKS	REMARKS
1	AIR FILTER	F4000-15-FM	1		CKD
2	2 PORT SOLENOID VALVE	MVS-2204JY-02	1	FOR AIR AC220V 60Hz	TACO
3	OIL REMOVAL FILTER	A00916	1		TACO
4	AIR REGULATOR	S/K 95023-09	1		TACO
5	CHECK VALVE	S/K 95023-08	1		TACO
6	MICRON FOG GENERATOR	S/K 95024-03	2		TACO
8	RELIEF VALVE	S/K 95212-04	1		TACO
9	PRESSURE SWITCH (HIGH)	SPS-5	1	SET PRESSURE 15.0kPa (ON)	SANWA
10	PRESSURE SWITCH (LOW)	SPS-5	1	SET PRESSURE 3.0kPa (ON)	SANWA
11	THERMOMETER (AIR)	No. 01070	1		(NISSHIN)
12	THERMOMETER (OIL)	No. 01070	1		(NISSHIN)
13	OIL LEVEL SWITCH	S/K 95212-03	1		(NOHKEN)
14	OIL LEVEL GAUGE	No. 05676-03	1		(TACO)
15	PRESSURE GAUGE (OPERATING)	GWB604040	1	0~0.40MPa	(NISSHIN)
16	PRESSURE GAUGE (MANIFOLD PRESSURE)	05676-146	1	0~30.0kPa	(NISSHIN)
17	AIR/OIL HEATER	S/K 95212-01	1		TACO
20	VALVE (FOR GAUGE PROTECTION)	TAC 3P	1		(KOGANEI)
23	GLOVE VALVE	M20KSG-3/8B	1		HITACHI VALVE
24	STRAINER (Y TYPE)	M20KST-3/8B	1		HITACHI VALVE
25	2 PORT SOLENOID VALVE	73216B2MT00NOC119P	1	FOR OIL AC220V 60Hz	SKINNER
26	INTEGRATING FLOW METER	RE10LF-L01-AC	1		NITTO
27	GLOVE VALVE	HM10KSD-1/2B	1		HITACHI VALVE
28	ADJUSTING NEEDLE	S/K 95212-08	2		TACO



CHG.	A	NAME	CIRCUIT DIAGRAM FOR MICRON-LUB CABINET				TYPE	MC6-1024-2S71	
REVISIONS	09C-063	APPR	CHD	I.Makino	BRN	Ebihara	SCALE	---	
DATE	09. 5. 28	DATE	08. 6. 16	DATE	08. 6. 13				
BY	山内								
								DWG. NO.	H-9476-02 A
									P8-1246 DIMENSIONS=mm-

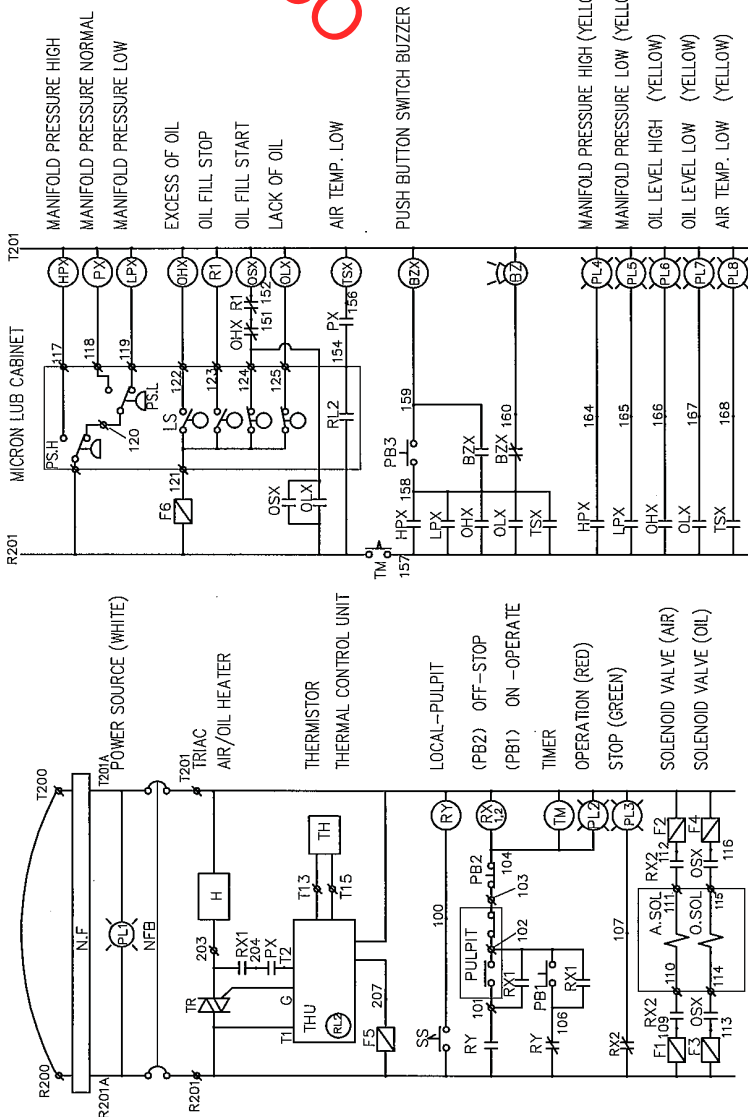
TACO co.,LTD.

※K-BP-96017A

No.	PARTS NAME	MODEL No.	Q'TY	REMARKS
NFB	NO FUSE BRAKER	EA32AC 30A	1	FUJI
NF	NOISE FILTER	ZAG220-11S	1	IDK
TR	TRIAC	T635C60	1	SanRex
H	AIR/OIL HEATER	S/K 95212-01	1	TACO
THU	THERMAL CONTROL UNIT	No. 02424	1	TACO
TH	THERMISTOR	No. 01021	1	TACO
F1~F4	FUSE	1A	4	
F5	FUSE	0.3A	1	
F6	FUSE	0.2A	1	
S	SELECTOR SWITCH	AH25-P2B10	1	FUJI
PB1	PUSH BUTTON SWITCH	AH25-FR10	1	FUJI
PB2	PUSH BUTTON SWITCH	AH25-FG01	1	FUJI
PB3	PUSH BUTTON SWITCH	AH25-FB10	1	FUJI
A.SOL	2 PORT SOLENOID VALVE	MVS-2204JY-02	1	AIR TACO
O.SOL	2 PORT SOLENOID VALVE	73216BN2MT00NOC119P	1	OIL SKINNER
TM	TIMER	ST7P-2	1	FUJI
PS.H	PRESSURE SWITCH	SPS-5	1	HIGH SANWA
PS.L	PRESSURE SWITCH	SPS-5	1	LOW SANWA
LS	LEVEL SWITCH	S/K95212-03	1	(NOHKEN)
BZ	BUZZER	DR22B5-MB	1	FUJI
RY,RX1, RX2,HPX, PX,LPX, OHX,R1, OSX,OLX, TSX,BZX	RELAY	MY4	12	OMRON
PL1~PL8	PILOT LAMP		8	

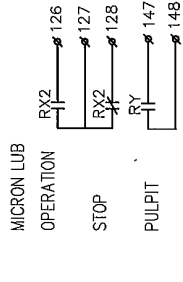
NOTE : This circuit must short-circuit during No.102-103 of the terminal to drive by the local operation when remote control isn't used.

⚠ One jumper line is attached to the control panel cover.



R200	110	125
R201	111	124
R202	112	123
R203	113	122
R204	114	121
R205	115	120
R206	116	119
R207	117	118
R208	118	117

101	126
102	127
103	128
104	129
105	130
106	131
107	132
108	133
109	134
110	135



WARNING  
 NORMAL : CLOSE  
 ABNORMAL : OPEN

CHG.	▲	NAME	WIRING DIAGRAM FOR MICRON-LUB CABINET	TYPE	MC6-1024-2S71
REVISIONS	06C-094	APP'D	伊藤 T.Mokino	DWG.No.	H-9476-03 A
DATE	08.06.24	DATE	08.6.13	SCALE	---
BY	Ebihara	DATE	08.6.13		

TACO co.,LTD.

